

# FUSES



NEXT

**Circuit Breakers**.....295

## **Fuse**

### **Blocks**

Box Lugs .....293  
Molded .....296  
Screw Terminal .....293  
Standard.....296

### **Clips**

Miniature .....296  
PC .....296  
Standard.....296  
Twin.....296

## **Fuse (cont.)**

### **Holders**

In-Line .....295, 296  
Micro Fuse .....293  
Panel Mount.....295  
PCB.....293, 296  
Shock-Safe.....293

Kits .....296, 352

## **Fuses**

Fast Acting .....292, 294  
Miniature.....293, 294  
Non-Time Delay .....294  
Pigtail.....294

## **Fuses (cont.)**

SloBlo .....292, 293  
Subminiature .....292  
Surface Mount.....292, 294  
Time Delay .....294  
Time Lag .....294

## **Manufacturers:**

Cooper/Bussmann .....294-296  
Keystone .....296  
Littelfuse .....292, 293

Main  
Menu

New  
This Issue

Products

Vendors

Service

Spec  
Sheets

Help

## NANO<sup>2</sup> SURFACE MOUNT FUSES



### Very Fast Acting Fuse, 451000 Series

For quantities greater than listed, call for quote.

MOUSER STOCK NO.	Littelfuse Type	Amp (A)	Volt (V)	Price Each		
				1	100	500
5762-451.250	451.250	.250	125	1.16	1.03	.94
5762-451.500	451.500	.500	125	1.16	1.03	.94
5762-451.750	451.750	.750	125	.86	.77	.70
5762-451001	451 001	1	125	.86	.77	.70
5762-45101.5	45101.5	1.5	125	.86	.77	.70
5762-451002	451 002	2	125	.86	.77	.70
5762-451003	451 003	3	125	.86	.77	.70
5762-45102.5	45102.5	2.5	125	.86	.77	.70
5762-451004	451 004	4	125	.86	.77	.70
5762-451005	451 005	5	125	.86	.77	.70
5762-451010	451 010	10	125	.86	.77	.70
5762-451015	451 015	15	125	1.35	1.21	1.09

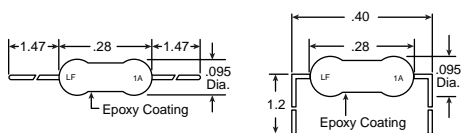
### Slo-Blo Fuse, 452000 Series

For quantities greater than listed, call for quote.

MOUSER STOCK NO.	Littelfuse Type	Amp (A)	Volt (V)	Price Each		
				1	100	500
5762-452001	452 001	1	125	1.34	1.19	1.09
5762-45201.5	45201.5	1.5	125	1.34	1.19	1.09
5762-452002	452 002	2	125	1.34	1.19	1.09
5762-45202.5	45202.5	2.5	125	1.34	1.19	1.09
5762-452003	452 003	3	125	1.34	1.19	1.09
5762-452004	452 004	4	125	1.34	1.19	1.09
5762-452005	452 005	5	125	1.34	1.19	1.09

## PICO<sup>®</sup> II FAST-ACTING SUBMINIATURE FUSES

The PICO<sup>®</sup> II is the first subminiature overcurrent protection component that makes maximum use of limited board space.



### Axial Lead

For quantities greater than listed, call for quote.

MOUSER STOCK NO.	Littelfuse Type	Amp (A)	Volt (V)	Price Each		
				1	100	500
5761-51062	251.062	1/16	125	1.09	.99	.85
5761-51125	251.125	1/8	125	.97	.89	.76
5761-51250	251.250	1/4	125	.96	.88	.76
5761-51375	251.375	3/8	125	.96	.88	.76
5761-51500	251.500	1/2	125	.94	.86	.76
5761-51750	251.750	3/4	125	.73	.68	.59
5761-51001	251 001	1	125	.73	.68	.59
5761-51112	25101.5	1 1/2	125	.73	.68	.59
5761-51002	251 002	2	125	.75	.69	.59
5761-51212	25102.5	2 1/2	125	.75	.69	.59
5761-51003	251 003	3	125	.75	.69	.59
5761-51312	25103.5	3 1/2	125	.75	.69	.59
5761-51004	251 004	4	125	.75	.69	.59
5761-51005	251 005	5	125	.74	.67	.59
5761-51007	251 007	7	125	.76	.69	.59
5761-51010	251 010	10	125	.74	.67	.59
5761-51012	251 012	12	32	1.25	1.15	.98
5761-51015	251 015	15	32	1.25	1.15	.98

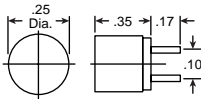
### Radial Lead

For quantities greater than listed, call for quote.

MOUSER STOCK NO.	Littelfuse Type	Amp (A)	Volt (V)	Price Each		
				1	100	500
5761-52125	252.125	1/8	125	.97	.89	.76
5761-52250	252.250	1/4	125	.96	.88	.76
5761-52375	252.375	3/8	125	.96	.88	.76
5761-52500	252.500	1/2	125	.94	.86	.76
5761-52750	252.750	3/4	125	.73	.68	.59
5761-52001	252 001	1	125	.73	.68	.59
5761-52112	25201.5	1 1/2	125	.73	.68	.59
5761-52002	252 002	2	125	.75	.69	.59
5761-52003	252 003	3	125	.75	.69	.59
5761-52004	252 004	4	125	.75	.69	.59
5761-52005	252 005	5	125	.74	.67	.59
5761-52010	252 010	10	125	.74	.67	.59

## MICRO<sup>™</sup> FUSE 273 SERIES VERY FAST-ACTING SUBMINIATURE FUSES

Provides reliability in extra compact design. Available in plug-in lead style and a complete range of ampere ratings from 1/500 to 5 amp to suit a wide variety of design needs.



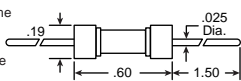
For quantities greater than listed, call for quote.

MOUSER STOCK NO.	Littelfuse Type	Amp (A)	Volt (V)	Price Each		
				1	100	500
5761-73150	273.002	1/500	125	4.74	4.38	4.03
5761-73120	273.005	1/200	125	4.74	4.38	4.03
5761-73110	273.010	1/100	125	4.74	4.38	4.03
5761-73164	273.015	1/64	125	4.74	4.38	4.03
5761-73032	273.031	1/32	125	4.74	4.38	4.03
5761-73020	273.050	1/20	125	1.59	1.47	1.35
5761-73062	273.062	1/16	125	1.59	1.47	1.35
5761-73100	273.100	1/10	125	2.58	2.20	2.02
5761-73125	273.125	1/8	125	1.59	1.47	1.35
5761-73200	273.200	2/10	125	1.59	1.47	1.35
5761-73250	273.250	1/4	125	1.59	1.47	1.35
5761-73300	273.300	3/10	125	1.59	1.47	1.35
5761-73400	273.400	4/10	125	1.59	1.47	1.35
5761-73500	273.500	1/2	125	2.38	2.20	2.02
5761-73600	273.600	6/10	125	1.59	1.47	1.35
5761-73700	273.700	7/10	125	1.59	1.47	1.35
5761-73750	273.750	3/4	125	1.59	1.47	1.35
5761-73800	273.800	8/10	125	1.59	1.47	1.35
5761-73001	273 001	1	125	1.59	1.47	1.35
5761-73112	27301.5	1 1/2	125	1.59	1.47	1.35
5761-73002	273 002	2	125	1.59	1.47	1.35
5761-73003	273 003	3	125	1.59	1.47	1.35
5761-73004	273 004	4	125	1.59	1.47	1.35
5761-73005	273 005	5	125	1.59	1.47	1.35

## 2AG FUSES

### 224 Series (Axial Lead) Fast-Acting Fuses

The 2AG fuse provides the same performance characteristics as the universal standard 3AG design in less than one-third the space.



For quantities greater than listed, call for quote.

MOUSER STOCK NO.	Littelfuse Type	Amp (A)	Volt (V)	Price Each		
				1	100	500
5760-24250	224.250	1/4	250	.74	.69	.63
5760-24375	224.375	3/8	250	.74	.69	.63
5760-24500	224.500	1/2	250	.57	.53	.48
5760-24750	224.750	3/4	250	.57	.53	.48
5760-24001	224 001	1	250	.57	.53	.48
5760-24002	224 002	2	250	.57	.53	.48
5760-24003	224 003	3	250	.57	.53	.48
5760-24004	224 004	4	125	.57	.53	.48
5760-24005	224 005	5	125	.57	.53	.48

### 225 Series Fast-Acting Fuses



For quantities greater than listed, call for quote.

MOUSER STOCK NO.	Littelfuse Type	Amp (A)	Volt (V)	Price Each		
				1	100	500
5760-25125	225.125	1/8	250	.56	.52	.48
5760-25250	225.250	1/4	250	.56	.52	.48
5760-25500	225.500	1/2	250	.40	.36	.33
5760-25001	225 001	1	250	.40	.36	.33
5760-25112	22501.5	1 1/2	250	.40	.36	.33
5760-25002	225 002	2	250	.40	.36	.33
5760-25003	225 003	3	250	.40	.36	.33
5760-25004	225 004	4	125	.40	.36	.33

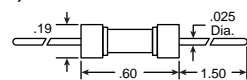
### 229 Series Slo-Blo<sup>®</sup> Fuses

For quantities greater than listed, call for quote.

MOUSER STOCK NO.	Littelfuse Type	Amp (A)	Volt (V)	Price Each		
				1	100	500
5760-29250	229.250	1/4	250	.47	.43	.40
5760-29500	229.500	1/2	250	.47	.43	.40
5760-29001	229 001	1	250	.47	.43	.40
5760-29112	22901.5	1 1/2	250	.47	.43	.40
5760-29002	229 002	2	250	.47	.43	.40
5760-29003	229 003	3	250	.47	.43	.40
5760-29004	229 004	4	125	.47	.43	.40
5760-29005	229 005	5	125	.47	.43	.40
5760-29007	229 007	7	125	.47	.43	.40

## 2AG FUSES (con't)

### 230 Series (Axial Lead) Slo-Blo<sup>®</sup> Fuses



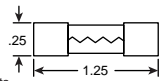
For quantities greater than listed, call for quote.

MOUSER STOCK NO.	Littelfuse Type	Amp (A)	Volt (V)	Price Each		
				1	100	500
5760-30250	230.250	1/4	250	.69	.63	.53
5760-30500	230.500	1/2	250	.68	.62	.53
5760-30750	230.750	3/4	250	.68	.62	.53
5760-30001	230 001	1	250	.68	.62	.53
5760-30002	230 002	2	250	.69	.63	.53
5760-30312	23003.5	3 1/2	250	.69	.63	.53
5760-30004	230 004	4	125	.69	.63	.53
5760-30005	230 005	5	125	.70	.64	.53

## 3AG FUSES

### 312 Series Fast-Acting Fuses

A standard for cost effective reliability and performance in circuit protection, the 3AG fuse satisfies a broad range of application requirements.



For quantities greater than listed, call for quote.

MOUSER STOCK NO.	Littelfuse Type	Amp (A)	Volt (V)	Price Each		
				1	100	500
5760-12062	312.062	1/16	250	.93	.85	.73
5760-12125	312.125	1/8	250	.93	.85	.73
5760-12175	312.175	.175	250	.93	.85	.73
5760-12187	312.187	3/16	250	.93	.85	.73
5760-12250	312.250	1/4	250	.57	.53	.45
5760-12300	312.300	3/10	250	.58	.54	.45
5760-12375	312.375	3/8	250	.58	.54	.45
5760-12500	312.500	1/2	250	.39	.35	.30
5760-12750	312.750	3/4	250	.39	.35	.31
5760-12001	312 001	1	250	.24	.22	.19
5760-12114	3121.25	1 1/4	250	.25	.23	.20
5760-12112	31201.5	1 1/2	250	.25	.23	.20
5760-12002	312 002	2	250	.25	.23	.20
5760-12212	31202.5	2 1/2	250	.25	.23	.20
5760-12003	312 003	3	250	.24	.22	.19
5760-12004	312 004	4	250	.38</		

## 5mm x 20mm FUSES Designed to IEC Standard

### 216 Series Fast Acting Fuses

• 1500 amp interrupting rating\*  
 For quantities greater than listed, call for quote.

MOUSER STOCK NO.	Littelfuse Type	Amp (A)	Volt (V)	Price Each		
				1	100	500
5765-16125	216.125	.125	250	1.02	.94	.81
5765-16200	216.200	.200	250	1.02	.94	.81
5765-16250	216.250	.250	250	1.02	.94	.81
5765-16400	216.400	.400	250	1.02	.94	.81
5765-16500	216.500	.500	250	1.02	.94	.81
5765-16630	216.630	.630	250	1.02	.94	.81
5765-16800	216.800	.800	250	1.02	.94	.81
5765-16001	216.001	1	250	1.02	.94	.81
5765-16114	2161.25	1.25	250	1.02	.94	.81
5765-16161	21601.6	1.6	250	1.02	.94	.81
5765-16002	216.002	2	250	1.02	.94	.81
5765-16212	21602.5	2.5	250	1.02	.94	.81
5765-16316	21631.5	3.15	250	1.02	.94	.81
5765-16004	216.004	4	250	1.02	.94	.81
5765-16005	216.005	5	250	1.02	.94	.81
5765-16631	21606.3	6.3	250	1.02	.94	.81
5765-16008	216.008	8	250	1.16	1.06	.91
5765-16010	216.010	10	250	1.16	1.06	.91

### 217 Series Fast Acting Fuses

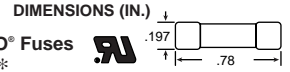
• 35 amp interrupting rating\*  
 For quantities greater than listed, call for quote.

MOUSER STOCK NO.	Littelfuse Type	Amp (A)	Volt (V)	Price Each		
				1	100	500
5765-17125	217.125	.125	250	1.18	1.08	.95
5765-17200	217.200	.200	250	.74	.67	.58
5765-17250	217.250	.250	250	.74	.67	.58
5765-17400	217.400	.400	250	.74	.67	.58
5765-17500	217.500	.500	250	.22	.20	.17
5765-17630	217.630	.630	250	.22	.20	.17
5765-17800	217.800	.800	250	.22	.20	.17
5765-17001	217.001	1	250	.22	.20	.17
5765-17114	2171.25	1.25	250	.22	.20	.17
5765-17161	21701.6	1.6	250	.22	.20	.17
5765-17002	217.002	2	250	.22	.20	.17
5765-17212	21702.5	2.5	250	.22	.20	.17
5765-17316	21731.5	3.15	250	.22	.20	.17
5765-17004	217.004	4	250	.22	.20	.17
5765-17005	217.005	5	250	.22	.20	.17
5765-17631	21706.3	6.3	250	.22	.20	.17
5765-17008	217.008	8	250	.89	.81	.69
5765-17010	217.010	10	250	.89	.81	.69

### 218 Series SLO-BLO® Fuses

• 35 amp interrupting rating\*  
 For quantities greater than listed, call for quote.

MOUSER STOCK NO.	Littelfuse Type	Amp (A)	Volt (V)	Price Each		
				1	100	500
5765-18063	218.063	.063	250	1.52	1.39	1.22
5765-18125	218.125	.125	250	.93	.85	.74
5765-18200	218.200	.200	250	.93	.85	.74
5765-18250	218.250	.250	250	.93	.85	.74
5765-18400	218.400	.400	250	.93	.85	.74
5765-18500	218.500	.500	250	.67	.62	.53
5765-18630	218.630	.630	250	.67	.62	.53
5765-18800	218.800	.800	250	.67	.62	.53
5765-18001	218.001	1	250	.67	.62	.53
5765-18114	2181.25	1.25	250	.67	.62	.53
5765-18161	21801.6	1.6	250	.67	.62	.53
5765-18002	218.002	2	250	.67	.62	.53
5765-18212	21802.5	2.5	250	.67	.62	.53
5765-18316	21831.5	3.15	250	.67	.62	.53
5765-18004	218.004	4	250	.67	.62	.53
5765-18005	218.005	5	250	.67	.62	.53
5765-18631	21806.3	6.3	250	.67	.62	.53
5765-18008	218.008	8	250	.93	.85	.73
5765-18010	218.010	10	250	.93	.85	.73

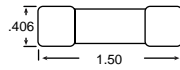


\* The interrupting rating is the maximum current, at the rated voltage, that the fuse can safely open without the possibility of rupturing.

## KLK SERIES MIDGET AC FAST ACTING FUSES

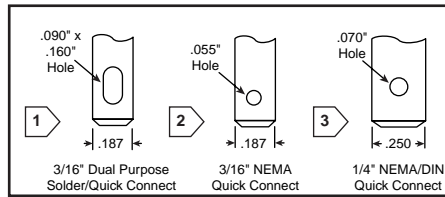
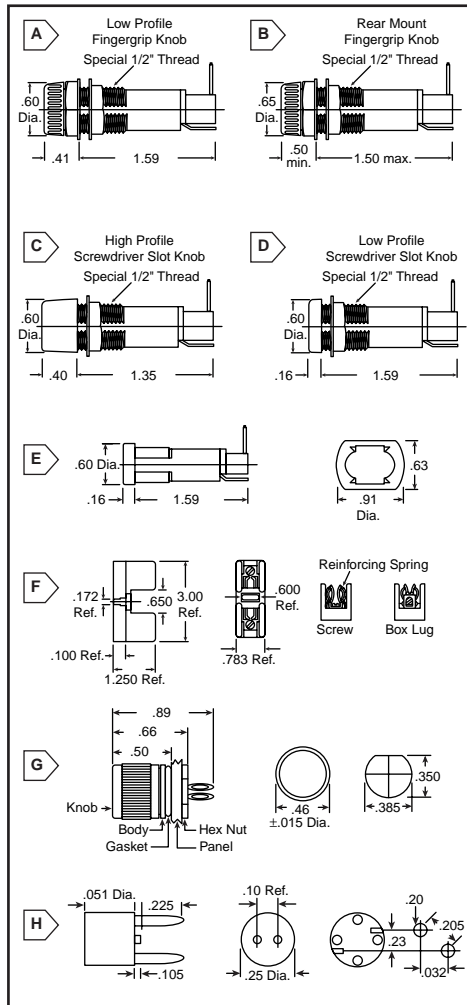
• For circuits with high AC fault capacity • 100,000 amp interrupting rating  
 For quantities greater than listed, call for quote.

MOUSER STOCK NO.	Littelfuse Type	Amp (A)	Volt (V)	Price Each		
				1	10	100
5766-KK001	KLK1	1	600	6.12	5.92	5.71
5766-KK002	KLK2	2	600	6.12	5.92	5.71
5766-KK003	KLK3	3	600	6.12	5.92	5.71
5766-KK004	KLK4	4	600	6.12	5.92	5.71
5766-KK005	KLK5	5	600	6.12	5.92	5.71
5766-KK006	KLK6	6	600	6.12	5.92	5.71



For quantities greater than listed, call for quote.

MOUSER STOCK NO.	Littelfuse Type	Amp (A)	Volt (V)	Price Each		
				1	10	100
5766-KK007	KLK7	7	600	6.12	5.92	5.71
5766-KK010	KLK10	10	600	6.12	5.92	5.71
5766-KK015	KLK15	15	600	6.12	5.92	5.71
5766-KK020	KLK20	20	600	6.12	5.92	5.71
5766-KK025	KLK25	25	600	6.12	5.92	5.71
5766-KK030	KLK30	30	600	6.12	5.92	5.71



## INTERNATIONAL SHOCK-SAFE FUSE HOLDERS

• Designed to IEC standard • Panel mount type  
 For 3AG Fuses, Right Angle Terminals  
 For quantities greater than listed, call for quote.

MOUSER STOCK NO.	Fig.	Term. Type	Size	Price Each		
				1	100	500
5767-345311	A	1	3/16"	1.89	1.68	1.52
5767-345313	A	2	3/16"	1.89	1.68	1.52
5767-345317	A	3	1/4"	2.01	1.79	1.62
5767-345321	B	1	3/16"	2.01	1.79	1.62
5767-345323	B	2	3/16"	2.01	1.79	1.62
5767-345327	B	3	1/4"	2.13	1.90	1.72
5767-345331	C	1	3/16"	1.89	1.68	1.52
5767-345333	C	2	3/16"	1.89	1.68	1.52
5767-345337	C	3	1/4"	2.01	1.79	1.62
5767-345341	D	1	3/16"	1.89	1.68	1.52
5767-345343	D	2	3/16"	1.89	1.68	1.52
5767-345347	D	3	1/4"	2.01	1.79	1.62
5767-345351	E	1	3/16"	2.01	1.79	1.62
5767-345353	E	2	3/16"	2.01	1.79	1.62
5767-345357	E	3	1/4"	2.13	1.90	1.72

## For 5mm x 20mm Fuses, Right Angle Terminals

MOUSER STOCK NO.	Fig.	Amp (A)	Size	Price Each		
				1	100	500
5767-345511	A	1	3/16"	2.14	1.91	1.73
5767-345513	A	2	3/16"	2.14	1.91	1.73
5767-345517	A	3	1/4"	2.27	2.02	1.83
5767-345521	B	1	3/16"	2.27	2.02	1.83
5767-345523	B	2	3/16"	2.27	2.02	1.83
5767-345527	B	3	1/4"	2.39	2.13	1.93
5767-345531	C	1	3/16"	2.14	1.91	1.73
5767-345533	C	2	3/16"	2.14	1.91	1.73
5767-345537	C	3	1/4"	2.27	2.02	1.83
5767-345541	D	1	3/16"	2.14	1.91	1.73
5767-345543	D	2	3/16"	2.14	1.91	1.73
5767-345547	D	3	1/4"	2.27	2.02	1.83
5767-345551	E	1	3/16"	2.27	2.02	1.83
5767-345553	E	2	3/16"	2.27	2.02	1.83
5767-345557	E	3	1/4"	2.39	2.13	1.93

## FUSE BLOCKS FOR 13/32" x 1 1/2" MIDGET FUSES

Features:  
 • 600 volt rating  
 • Inter-locking feature allows multiple pole capability  
 • Maximum wire size: box lug #6cu, screw #10cu

Box Lugs For quantities greater than listed, call for quote.

MOUSER STOCK NO.	Fig.	Amp (A)	No. of Poles	Price Each		
				1	10	100
5767-63111	F	30	1	7.11	6.61	5.95
5767-63121	F	30	2	14.22	13.23	11.91
5767-63131	F	30	3	21.33	19.84	17.86

## Screw Terminals

MOUSER STOCK NO.	Fig.	Amp (A)	No. of Poles	Price Each		
				1	10	100
5767-63112	F	20	1	3.44	3.20	2.88
5767-63122	F	20	2	5.93	5.51	4.96
5767-63132	F	20	3	7.83	7.28	6.55

## RF SHIELDED 282 SERIES MICRO™ FUSE FUSE HOLDER

Space saving. Screw-on drip-proof knob construction permits use when presence of moisture exists at front of panels.  
 Specifications:  
 • Electrical: rated @ 5 amp for any voltage up to 125V  
 • Panel thickness (max): .093  
 • Molded parts: black thermoplastic  
 • Housing, knob, and nut: aluminum, untreated  
 • Chromate finish for RF shielding  
 For quantities greater than listed, call for quote.

MOUSER STOCK NO.	Fig.	Mounting	Price Each		
			1	100	500
5767-82001	G	Front Panel	8.43	7.91	7.64

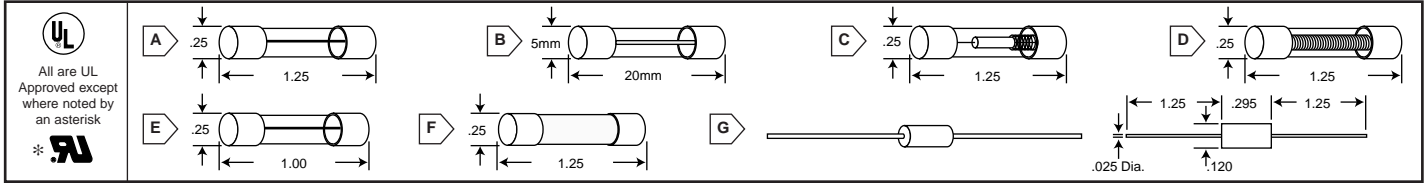
## MICRO™ FUSE/PICO® II 281 SERIES PCB FUSE HOLDER

Will accept Littelfuse Microfuse and PICO® II fuses (rated to 5 amp) with .025" diameter leads.  
 Specifications:  
 • Electrical: rated @ 5 amp, for any voltage up to 125V  
 • Terminals: silver plated, copper alloy  
 • Molded parts: white thermoplastic  
 • Ambient temperature: -40°C to +100°C  
 For quantities greater than listed, call for quote.

MOUSER STOCK NO.	Fig.	Mounting	Price Each		
			1	100	500
5767-81005	H	Vertical	1.42	1.26	1.01

# COOPER Fuses

DIMENSIONS (IN.)



## COOPER Standard 1/4 x 1-1/4 Fast Acting

Bussmann

For quantities greater than listed, call for quote.

MOUSER STOCK NO.	Fig.	Amp (A)	Volt (V)	Price Each		
				1	100	500
504-AGC-1/16	A	1/16	250	1.22	.94	.80
504-AGC-1/8	A	1/8	250	1.22	.94	.80
504-AGC-3/16	A	3/16	250	1.22	.94	.80
504-AGC-2/10	A	2/10	250	1.22	.94	.80
504-AGC-1/4	A	1/4	250	.43	.40	.34
504-AGC-3/10	A	3/10	250	.66	.58	.50
504-AGC-3/8	A	3/8	250	.76	.58	.49
504-AGC-1/2	A	1/2	250	.43	.40	.34
504-AGC-6/10	A	6/10	250	.43	.40	.34
504-AGC-3/4	A	3/4	250	.43	.40	.34
504-AGC-1	A	1	250	.35	.25	.22
504-AGC-1 1/4	A	1 1/4	250	.35	.25	.22
504-AGC-1 1/2	A	1 1/2	250	.35	.25	.22
504-AGC-1 3/4	A	1 3/4	250	.35	.25	.22
504-AGC-2	A	2	250	.35	.25	.22
504-AGC-2 1/4	A	2 1/4	250	.35	.25	.22
504-AGC-2 1/2	A	2 1/2	250	.35	.25	.22
504-AGC-3	A	3	250	.35	.25	.22
504-AGC-4	A	4	250	.43	.40	.34
504-AGC-5	A	5	250	.43	.40	.34
504-MTH-5	A	5	250	.42	.35	.17
504-AGC-6	A	6	250	.43	.40	.34
504-MTH-6	A	6	250	.42	.35	.17
504-AGC-7 1/2	A	7 1/2	250	.43	.40	.34
504-AGC-8	A	8	250	.55	.48	.45
504-AGC-10	A	10	250	.55	.48	.45
504-AGC-15	A	15	32	.35	.25	.22
504-AGC-20	A	20	32	.35	.25	.22
504-AGC-25	A	25	32	.35	.25	.22
504-AGC-30	A	30	32	.35	.25	.22
504-AGC-35	A	35	32	.38	.29	.25

## COOPER Standard 1/4 x 1-1/4 Time Delay

Bussmann

For quantities greater than listed, call for quote.

MOUSER STOCK NO.	Fig.	Amp (A)	Volt (V)	Price Each		
				1	100	500
504-MDL-1/100	D	1/100	250	2.28	2.08	1.77
504-MDL-1/32	D	1/32	250	2.28	2.08	1.77
504-MDL-1/16	D	1/16	250	1.78	1.50	1.27
504-MDL-1/10	D	1/10	250	1.78	1.50	1.27
504-MDL-3/16	D	3/16	250	1.78	1.50	1.27
504-MDL-15/100	D	15/100	250	1.78	1.50	1.27
504-MDL-1/8	D	1/8	250	1.78	1.50	1.27
504-MDL-2/10	D	2/10	250	1.78	1.50	1.27
504-MDL-1/4	D	1/4	250	1.16	.91	.77
504-MDL-3/10	D	3/10	250	1.16	.91	.77
504-MDL-4/10	D	4/10	250	1.16	.91	.77
504-MDL-3/8	D	3/8	250	1.16	.91	.77
504-MDL-1/2	D	1/2	250	.97	.86	.73
504-MDL-6/10	D	6/10	250	.97	.86	.73
504-MDL-8/10	D	8/10	250	.97	.86	.73
504-MDL-3/4	D	3/4	250	.97	.86	.73
504-MDL-1	D	1	250	.97	.86	.73
504-MDL-1 2/10	D	1 2/10	250	.94	.66	.56
504-MDL-1 1/4	D	1 1/4	250	.94	.66	.56
504-MDL-1 1/2	D	1 1/2	250	.94	.66	.56
504-MDL-1 6/10	D	1 6/10	250	.94	.66	.56
504-MDL-1 8/10	D	1 8/10	250	.94	.66	.56
504-MDL-2	D	2	250	.94	.66	.56
504-MDL-2 1/4	D	2 1/4	250	.94	.66	.56
504-MDL-2 1/2	D	2 1/2	250	.94	.66	.56
504-MDL-2 8/10	D	2 8/10	250	.94	.66	.56
504-MDL-3	D	3	250	.94	.66	.56
504-MDL-3 2/10	D	3 2/10	250	.94	.66	.56
504-MDL-3 1/2	D	3 1/2	250	.94	.66	.56
504-MDL-4	D	4	250	.94	.66	.56
504-MDL-5	D	5	250	.94	.66	.56
504-MDL-6 1/4	D	6 1/4	250	.94	.66	.56
504-MDL-7	D	7	250	.94	.66	.56
504-MDL-8	D	8	250	.94	.66	.56
504-MDL-10	D	10	32	1.24	.97	.82
504-MDL-12A	D	12	32	1.24	.97	.82
504-MDL-15	D	15	32	1.24	.97	.82
504-MDL-20	D	20	32	1.24	.97	.82
504-MDL-25	D	25	32	1.24	.97	.82
504-MDL-30	D	30	32	1.24	.97	.82

## COOPER Ceramic 1/4 x 1-1/4 Fast Acting

Bussmann

For quantities greater than listed, call for quote.

MOUSER STOCK NO.	Fig.	Amp (A)	Volt (V)	Price Each		
				1	100	500
504-ABC-2	F	2	250	.81	.67	.57
504-ABC-3	F	3	250	.81	.67	.57
504-ABC-5	F	5	250	.74	.64	.54
504-ABC-6	F	6	250	.74	.64	.54
504-ABC-8	F	8	250	.74	.64	.54
504-ABC-10	F	10	250	.74	.64	.54
504-ABC-12	F	12	250	.74	.64	.54
504-ABC-15	F	15	250	.74	.64	.54
504-ABC-20	F	20	250	1.19	.95	.81
504-ABC-25	F	25	125	1.19	.95	.81
504-ABC-30	F	30	125	1.19	.95	.81

## COOPER Ceramic 1/4 x 1-1/4 Time Delay

Bussmann

For quantities greater than listed, call for quote.

MOUSER STOCK NO.	Fig.	Amp (A)	Volt (V)	Price Each		
				1	100	500
504-MDA-1	F	1	250	1.78	1.62	1.37
504-MDA-2	F	2	250	1.78	1.62	1.37
504-MDA-2 1/2	F	2 1/2	250	1.55	1.13	.96
504-MDA-3	F	3	250	1.34	1.13	.96
504-MDA-4	F	4	250	1.34	1.13	.96
504-MDA-5	F	5	250	1.34	1.13	.96
504-MDA-6 1/4	F	6 1/4	250	1.34	1.13	.96
504-MDA-7	F	7	250	1.34	1.13	.96
504-MDA-8	F	8	250	1.34	1.13	.96
504-MDA-10	F	10	250	1.34	1.13	.96
504-MDA-15	F	15	250	1.34	1.13	.96
504-MDA-20	F	20	250	1.34	1.13	.96
504-MDA-25	F	25	125	1.34	1.13	.96
504-MDA-30	F	30	125	1.34	1.13	.96

## COOPER 5mm x 20mm Fast Acting Fuses

Bussmann

• Glass • Accepted worldwide • Recommended for new designs

For quantities greater than listed, call for quote.

MOUSER STOCK NO.	Fig.	Amp (A)	Volt (V)	Price Each		
				1	100	500
504-GMA-63MA	B	63mA	250	1.24	1.08	.96
504-GMA-1/10	B	1/10	250	.76	.58	.49
504-GMA-1/8	B	1/8	250	.76	.58	.49
504-GMA-2/10	B	2/10	250	.76	.58	.49
504-GMA-1/4	B	1/4	250	.76	.58	.49
504-GMA-1/2	B	1/2	250	.76	.58	.49
504-GMA-6/10	B	6/10	250	.76	.58	.49
504-GMA-3/4	B	3/4	250	.76	.58	.49
504-GMA-8/10	B	8/10	250	.76	.58	.49
504-GMA-1	B	1	250	.35	.25	.22
504-GMA-1 1/2	B	1 1/2	250	.35	.25	.22
504-GMA-2	B	2	250	.35	.25	.22
504-GMA-2 1/2	B	2 1/2	250	.35	.25	.22
504-GMA-3	B	3	250	.35	.25	.22
504-GMA-4	B	4	125	.35	.25	.22
504-GMA-5	B	5	125	.35	.25	.22
504-GMA-6	B	6	125	.35	.25	.22
504-GMA-7	B	7	125	.35	.25	.22
504-GMA-8	B	8	125	.35	.25	.22
504-GMA-10	B	10	125	.35	.25	.22
504-GMA-15	B	15	125	.35	.25	.22

## COOPER Miniature 5mm x 20mm Time Lag

Bussmann

For quantities greater than listed, call for quote.

MOUSER STOCK NO.	Fig.	Amp (A)	Volt (V)	Price Each		
				1	100	500
504-GMC-1/8	B	1/8	250	1.91	1.39	1.19
504-GMC-1/4	B	1/4	250	1.10	.80	.68
504-GMC-1/2	B	1/2	250	1.21	.62	.52
504-GMC-6/10	B	6/10	125	1.21	.62	.52
504-GMC-3/4	B	3/4	250	1.21	.62	.52
504-GMC-8/10	B	8/10	125	1.21	.62	.52
504-GMC-1	B	1	250	1.21	.62	.52
504-GMC-1 1/2	B	1 1/2	250	1.21	.62	.52
504-GMC-1 6/10	B	1 6/10	125	1.21	.62	.52
504-GMC-2	B	2	250	1.21	.62	.52
504-GMC-2 1/2	B	2 1/2	250	1.21	.62	.52
504-GMC-3	B	3	125	1.21	.62	.52
504-GMC-3 1/2	B	3 1/2	125	1.21	.62	.52
504-GMC-4	B	4	125	1.21	.62	.52
504-GMC-5	B	5	125	1.21	.62	.52
504-GMC-6	B	6	125	1.21	.62	.52
504-GMC-7	B	7	125	1.21	.62	.52
504-GMC-8	B	8	125	1.21	.62	.52
504-GMC-10	B	10	125	1.21	.62	.52

## COOPER Dual Element 1/4 x 1-1/4 Time Delay

Bussmann

For quantities greater than listed, call for quote.

MOUSER STOCK NO.	Fig.	Amp (A)	Volt (V)	Price Each		
				1	100	500
504-MDQ-2	C	2	250	1.42	1.35	1.28
504-MDQ-3	C	3	250	1.42	1.35	1.28
504-MDQ-4	C	4	250	1.42	1.35	1.28
504-MDQ-5	C	5	250	1.42	1.35	1.28
504-MDQ-6	C	6	250	1.42	1.35	1.28

## COOPER Instrument 1/4 x 1 Non-Time Delay

Bussmann

For quantities greater than listed, call for quote.

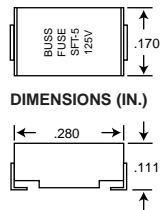
MOUSER STOCK NO.	Fig.	Amp (A)	Volt (V)	Price Each		
				1	100	500
504-AGX-1/8	E	1/8	250	1.52	1.18	.70
504-AGX-1	E	1	250	.68	.47	.26
504-AGX-2	E	2	250	.68	.56	.26

## COOPER SURFACE MOUNT NON-TIME DELAY

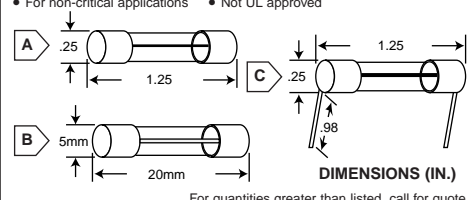
Bussmann

• Interrupting and voltage rating: 50A @ 250VAC (1/2-3A) 10,000A @ 125VAC (1/2-5A)

MOUSER STOCK NO.	Amp (A)	Volt (V)	Price Each		MOUSER STOCK NO.	Price Per Reel of 500	
			1	100		1	5
504-SFT-1	1	125	1.10	.88	504-SFT-1/REEL	395.28	274.64
504-SFT-2	2	125	1.10	.88	504-SFT-2/REEL	395.28	274.64
504-SFT-3	3	125	1.10	.88	504-SFT-3/REEL	395.28	274.64
504-SFT-4	4	125	1.10	.88	504-SFT-4/REEL	395.28	274.64
504-SFT-5	5	125	1.10	.88	504-SFT-5/REEL	395.28	274.64



## LOW COST IMPORTED FUSES



For quantities greater than listed, call for quote.

MOUSER STOCK NO.	Fig.	Amp (A)	Volt (V)	Price Each		
				1	100	500
<b>Standard 1/4" x 1-1/4" Fast Acting</b>						
44FP047	A	1/8	250	.30	.23	.20
44FP048	A	1/4	250	.22	.17	.14
44FP049	A	1/2	250	.22	.17	.14
44FP051	A	1	250	.19	.11	.10
44FP052	A	2				

# Fuse Holders and Circuit Breakers

**COOPER**

Bussmann

**UL** **SP**  
E14853 47235

## STANDARD PANEL MOUNT FUSE HOLDERS

### Straight Solder Terminals

MOUSER STOCK NO.	Fig.	Mounting Position/Type	Fuse Size (In.)	Rating	Profile	Price Each			
						1	100	500	1000
504-HJM	A	Front / Hex nut	1/4x1	5A @ 125V	Low	1.90	1.51	1.21	Call For Quote
504-HKP	A	Front / Hex nut	1/4x1 1/4	30A @ 250V	Low	1.90	1.51	1.21	
504-HKP-CC	A	Front / Hex nut	1/4x1 1/4	30A @ 250V	High	1.98	1.59	1.26	
504-HKP-00	B	Rear / Snap-in	1/4x1, 1 1/4	30A @ 250V	Low	4.25	3.38	2.71	

## INTERNATIONALLY APPROVED PANEL MOUNT FUSE HOLDERS

- Current rating:
  - UL - 15A @ 250V
  - CSA - 16A @ 250V
  - VDE - 10A @ 250V
  - SEMKO - 10A @ 250V
- Flammability rating: UL 94V-0
- Terminal type: 3/16" solder/quick connect
- Temperature range: -55°C to 85°C

**UL** **SP**  
E14853 47235

### Standard (for 1/4" x 1 1/4" Fuses)

MOUSER STOCK NO.	Fig.	Mounting Position/Type	Profile	Fuse Access	Rear Terminal	Price Each			
						1	100	500	1000
504-HTB-32I	C	Front / Hex nut	Low	Slotted	Straight	2.65	2.21	1.28	Call For Quote
504-HTB-44I	D	Front / Hex nut	High	Knob	Rt. Angle	2.32	1.96	1.28	
504-HTB-62I	E	Rear / Hex nut	Low	Knob	Straight	2.65	2.21	1.28	
504-HTB-82I	F	Front / Snap-in	Low	Knob	Straight	2.65	2.21	1.28	
504-HTB-92I	G	Front / Snap-in	Low	Slotted	Straight	2.65	2.21	1.28	

### Miniature (for 5mm x 20mm Fuses)

504-HTB-32M	C	Front / Hex nut	Low	Slotted	Straight	2.65	2.21	1.28	Call For Quote
504-HTB-62M	E	Rear / Hex nut	Low	Knob	Straight	2.65	2.21	1.28	
504-HTB-82M	F	Front / Snap-in	Low	Knob	Straight	2.65	2.21	1.28	
504-HTB-92M	G	Front / Snap-in	Low	Slotted	Straight	2.65	2.21	1.28	

## PANEL MOUNT FUSE HOLDERS

### Standard (for 1/4" x 1 1/4" Fuses)

**UL** **SP**  
E89872 \*As indicated

MOUSER STOCK NO.	Fig.	Cap Color	Rating	UL File No.	CSA File No.	Price Each			
						1	100	500	1000
* 44FH111	H	White	6A @ 250VAC	E43163	-----	1.99	1.66	1.51	Call For Quote
* 44FH112	H	Red	6A @ 250VAC	E43163	-----	1.99	1.66	1.51	
* 44FH113	H	Black	6A @ 250VAC	E43163	-----	1.99	1.66	1.51	
* 44FH030	I	Black	15A @ 250VAC	E46754	LR30024	2.42	2.02	1.84	
* 441-FH042	J	Black	10A @ 250VAC	E46754	LR30024	2.11	1.76	1.60	
* 44FH033	J	Black	10A @ 250VAC	-----	-----	1.11	.85	.78	
* 441-FH032	K	Black	10A @ 250VAC	E46754	LR30024	2.38	1.98	1.80	
* 441-R3-13	L	Black	10A @ 250VAC	E72169	LR46728X	1.49	1.22	1.09	
* 441-R314A	M	Black	10A @ 250VAC	E72169	LR46728	1.40	1.23	1.13	

### Quick-Connect (for 1/4" x 1 1/4" Fuses)

\* .250" faston terminal

* 441-R314C	N	Black	10A @ 250VAC	E72169	LR46728	1.46	1.38	1.27	Call
-------------	---	-------	--------------	--------	---------	------	------	------	------

### Miniature (for 5mm x 20mm Fuses)

\* .187" faston terminal

* 441-FH003	O	Black	3A @ 250VAC	-----	-----	2.18	1.82	1.65	Call For Quote
* 441-FH043	P	Black	10A @ 250VAC	E46754(S)	-----	2.19	1.84	1.67	
* 441-R3-12	Q	Black	10A @ 250VAC	E72169	LR46728X	1.69	1.43	1.29	
† 441-0201	R	Black	10A @ 250VAC	E89872	LR59229	2.35	1.96	1.78	
† 441-0202	S	Black	10A @ 250VAC	E89872	LR59229	2.51	2.09	1.90	

## IN-LINE FUSE HOLDERS

### Standard

MOUSER STOCK NO.	Fig.	Description	Lead Length (In.)	Price Each			
				1	100	500	1000
44FH299	T	1/4" x 1 1/4" Clear, without leads	---	1.25	.96	.87	Call
44FH018	U	1/4" x 1 1/4" Black, 100MΩ resistance	18	3.37	2.81	2.55	For Quote
44FH019	V	1/4" x 1 1/4" Clear	18	3.19	2.66	2.42	Quote

### Universal

44FH497	W	1/4" x 1", 1/4" x 1 1/4", or 5mm x 20mm white, with black lead	18	1.66	1.38	1.25	Call For Quote
44FH498	W	1/4" x 1", 1/4" x 1 1/4", or 5mm x 20mm white, with red lead	18	1.66	1.38	1.25	Call For Quote

### Holder Assembly

44FH499	X	1/4" x 1 1/4" white, with red lead	18	1.56	1.30	1.18	Call
---------	---	------------------------------------	----	------	------	------	------

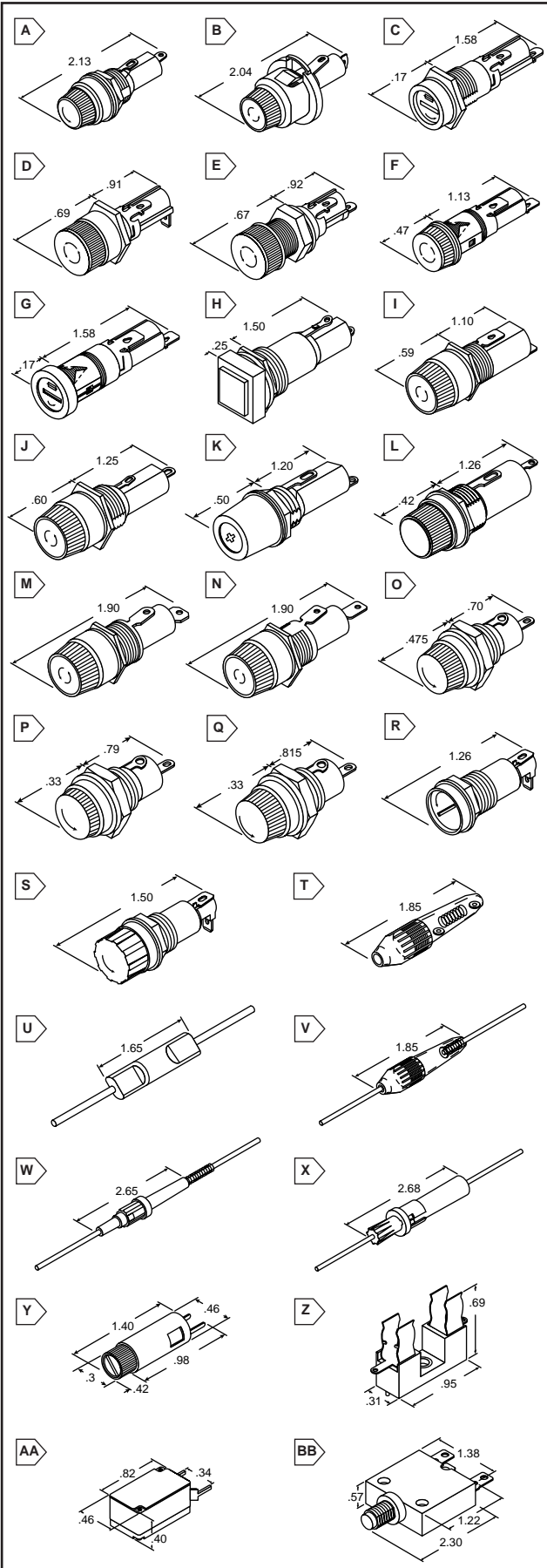
## FUSE HOLDERS

MOUSER STOCK NO.	Fig.	Description	Contact Plating	Price Each			
				1	100	500	1000
* 441-R324	Y	Black plastic PC Mount (for midget fuses)	Nickel	1.12	1.02	.91	Call For Quote
441-4454	Z	Midget base for 20mm x 5mm fuses	Nickel	1.09	.84	.76	Quote

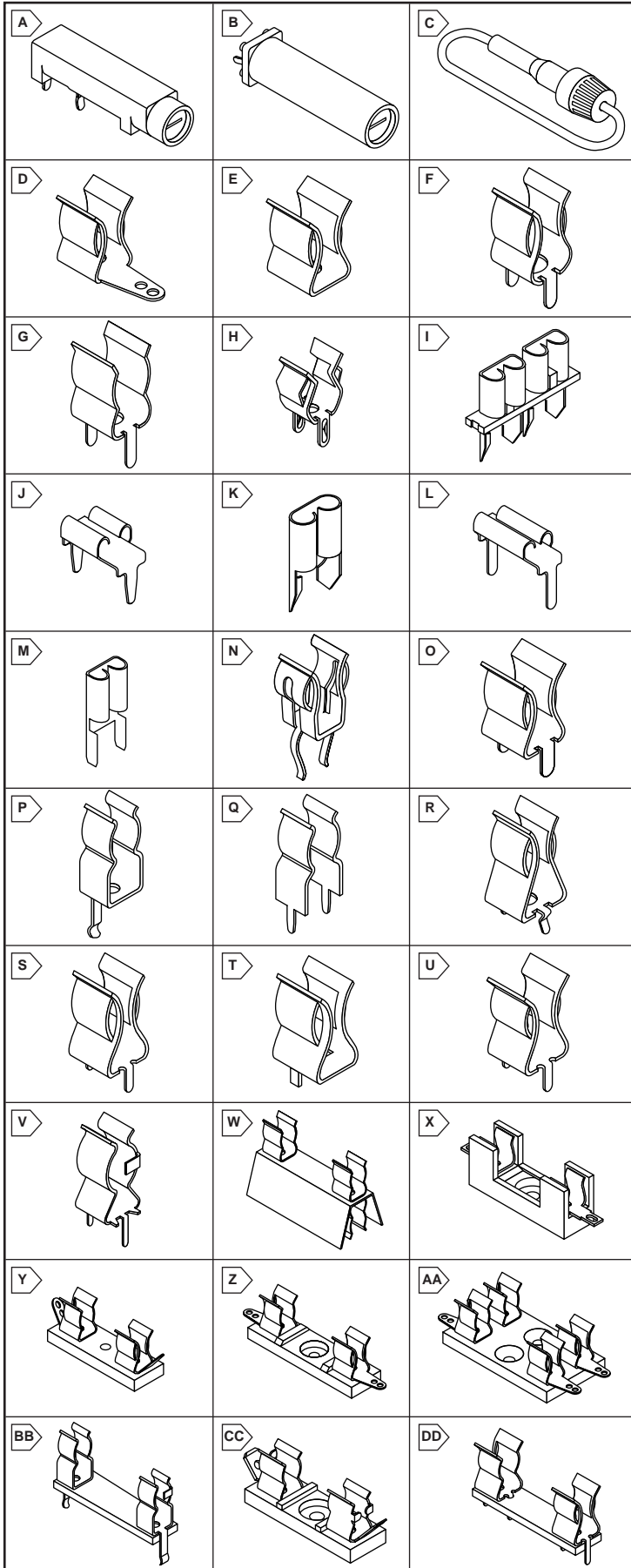
## CIRCUIT BREAKERS

• Triggered by current flow heating

MOUSER STOCK NO.	Fig.	Description	Rating	UL File No.	Price Each			
					1	100	500	1000
442-76-0100	AA	Thermal, auto reset	1A @ 250VAC/24VDC	---	3.45	3.02	2.59	Call
* 442-5000-15	BB	Thermal, manual reset	15A @ 125/250VAC	E95802	4.25	4.00	3.80	Call



# Fuse Holders, Fuse Blocks, and Fuse Kits



## FUSE HOLDERS AND CLIPS



**PCB Fuse Holders** • "Kicked" terminals for optimum wave soldering • Anti-wicking terminals

MOUSER STOCK NO.	Fig.	Fuse Size	Rated To		Price Each			
			Amp	Volt	1	100	500	1000
504-HBH-I	A	1/4" x 1-1/4"	12	250	2.89	2.29	1.69	1.18
504-HBV-I	B	1/4" x 1-1/4"	12	250	3.53	2.88	2.29	1.60
504-HBH-M	A	5mm x 20mm	12	250	3.41	2.79	2.23	1.40
504-HBV-M	B	5mm x 20mm	12	250	4.02	3.29	2.51	1.67

### In-Line Fuse Holders

MOUSER STOCK NO.	Fig.	Fuse Size	Lead Lth. (In.)	Price Each			
				1	100	500	1000
504-HRK	C	Accepts all 1/4" fuses,	15	1.93	1.59	1.26	1.22
504-HMJ	C	5/8" through 1 1/4" long	8	1.79	1.42	1.13	1.02

### Fuse Clips

• Made of spring bronze

MOUSER STOCK NO.	Fig.	Description	Price Each			
			1	100	500	1000
504-5678-14	D	1/4" solder terminal	.24	.17	.12	.11
504-5682-41	E	1/4" screw mount	.24	.17	.12	.11
504-1A1119-10	F	1/4" PC mount with stop	.34	.29	.27	.24
504-1A1120-10	G	1/4" PC mount	.37	.31	.30	.27
504-1A3399-10	H	5mm PC mount with stop	.22	.20	.18	.16

## KEYSTONE FUSE HOLDERS AND CLIPS

### PC Fuse Holders and Clips

- Auto blade holders and clips are compatible with Littelfuse .205" x .025" standard and .110" x .032" mini blade fuses
- Thru hole PC mountable • Suitable for 15 amp applications



MOUSER STOCK NO.	Fig.	Fuse Size	Description	Price Each			
				1	100	500	1000
534-3522-2	I	.205" x .025"	Standard blade fuse holder	.51	.34	.30	.253
534-3550	J	.205" x .025"	Standard blade horiz. clip	.36	.24	.22	.126
534-3522	K	.205" x .025"	Standard blade vertical clip	.17	.082	.068	.058
534-3544-2	I	.110" x .032"	Mini blade fuse holder	.53	.356	.325	.274
534-3549	L	.110" x .032"	Mini blade horizontal clip	.35	.234	.213	.121
534-3544	M	.110" x .032"	Mini blade vertical clip	.13	.086	.071	.06

### PC Fuse Clips

- Snap-fit and press fit designs for wave soldering • Low profile space saving design
- Economical and easy to assemble • Low contact resistance

MOUSER STOCK NO.	Fig.	Fuse Size	Description	Price Each			
				1	100	500	1000
534-3521	N	5mm	.016" tinned brass	.13	.063	.056	.048
534-3517	O	5mm	.02" tinned brass	.22	.110	.098	.059
534-3520	P	5mm	.016" tinned brass	.11	.055	.050	.042
534-3519	Q	5mm	.016" tinned brass	.32	.160	.150	.100
534-3513	R	1/4"	.02" tinned brass	.23	.120	.110	.064
534-3529	S	1/4"	.02" tinned brass	.20	.100	.090	.056
534-3530	T	1/4"	.02" tinned brass	.22	.110	.093	.056

## FUSE CLIPS

MOUSER STOCK NO.	Fig.	Fuse Size	Description	Price Each			
				1	100	500	1000
44FH053	U	1/4"	Nickel plated	.19	.16	.15	.140
44FH052	V	5mm	Silver plated brass	.11	.08	.07	.066



## FUSE CLIPS AND BLOCKS

### Twin Clips

Makes it unnecessary to replace blown pigtail fuse by cutting or soldering. Twin-clips snap on the blown fuse.

MOUSER STOCK NO.	Fig.	Fuse Size	Price Each			
			1	100	500	1000
504-3434	W	5/8" to 1 1/4" long; insulated	1.51	1.26	1.21	1.09

### Fuse Blocks

- 1/4" x 1 1/4" fuse size • Spring-bronze clips • Anti-pivot barrier • Totally sealed base



MOUSER STOCK NO.	Fig.	Description	Rated To		Price Each			
			Amp	Volt	1	100	500	1000
504-S-8001-1	X	Solder terminal	25	300	1.19	1.00	.95	.80
504-S-8101-1	X	3/16" quick connect	15	300	1.13	.90	.62	.56

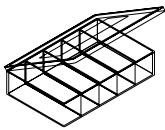
• Molded bakelite base • Silver plated clips • Beryllium copper solder terminal

MOUSER STOCK NO.	Fig.	Description	Price Each					
			1	100	500	1000		
504-3828-1	Y	1" fuse size	30	250	1.62	1.57	1.30	1.13
504-4405	Z	1 1/4" fuse size	30	250	1.94	1.61	1.55	1.36
504-4408	AA	1 1/4" fuse size	30	250	4.72	3.94	3.78	3.30

## KEYSTONE MOLDED BASE FUSE BLOCKS

MOUSER STOCK NO.	Fig.	Description	Price Each			
			1	100	500	1000
534-3527	BB	5mm x 20mm snap-fit PCB fuse holder	.96	.48	.40	.326
534-4243	CC	1/4"x1 1/4" fuse holder w/.250" quick disc.	2.86	1.43	1.24	.766
534-4245	DD	1/4"x1 1/4" PCB fuse holder	.95	.48	.41	.373

# Prototype Kits



- Designed for engineers, prototype and repair benches, school labs, short production runs, and hobbyists.
- No guesswork. Our kits spell out exactly what you get.
- Production quantities of all listed components are in stock. Call for Quote.
- Compare kits on this page with anyone else's and you will see why quality, price, selection, and convenience are reasons to purchase component kits from Mouser.

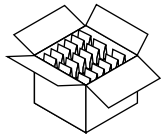
## Capacitor Kits

MOUSER STOCK NO.	Type	Range of Values	Pieces in Each Kit	Description	Price Each
370-540-1	Tantalum, ±10%, 6.3-35 volt, radial	.1-100µF	120	<b>10 each:</b> .1, .15, .22, .33, .47, .68 (35WVDC), <b>5 each:</b> 1.0 (35WVDC), 2.2, 4.7, 10, (25WVDC), 3.3, 4.7, 6.8, 22, (16WVDC), 33, (10WVDC), 15, 47, 100 (6.3WVDC)	49.95
370-140PFK-1	Polyester, ±10%, 100 volt, radial	.001-.47µF	175	<b>10 each:</b> .001, .0015, .002, .0022, .0033, .005, .01, .015, .02, .022, .033, .047, .05, .068, .1, .15, .22, <b>5 each:</b> .47	23.95
370-140PFF-1	Polyester, ±2%, 100 volt, radial	.001-.1µF	120	<b>10 each:</b> .001, .0015, .0022, .0033, .0047, .01, .015, .022, .033, .047, .068, .1	49.95
370-GP50-1	Ceramic disc, 50 volt, radial	5pF-.1µF	360	<b>20 each:</b> 5, 10, 22, 33, 47, 68, 100, 220, 270, 330, 470, 500pF, .001, .002, .005, .01, .05, .1	29.95
370-GP500-1	Ceramic disc, 500 volt radial	5pF-.02µF	360	<b>20 each:</b> 5, 10, 22, 33, 47, 68, 82, 100, 220, 270, 330, 470, 500pF, .001, .002, .005, .01, .02	29.95
370-208-25	Miniature electrolytic radial	1-1,000µF	85	<b>10 each:</b> 1, 2.2, 3.3, 4.7, 10 (50WVDC), <b>5 each:</b> 22 (50WVDC), 33, 47 (35WVDC), 100, 220, 470, 1000 (25WVDC)	33.95
370-PS-1	Polystyrene film, ±5%, 50WVDC	100-820pF	120	<b>10 each:</b> 100, 120, 150, 180, 220, 270, 330, 390, 470, 560, 680, 820 (axial leads)	24.95
370-PS-2	Polystyrene film, ±5%, 50WVDC	.001-.01µF	120	<b>10 each:</b> .001, .0012, .0015, .0018, .002, .0022, .0027, .0033, .0039, .005, .0068, .01 (axial leads)	24.95
370-140XAL-1	Miniature electrolytic axial	.47-1000µF	80	<b>10 each:</b> .47, 1.0 (50V), <b>5 each:</b> 2.2, 3.3, 4.7, 10, 20, 220, (50V), 33, 470, (35VDC), 47, 100, 330, 1000, (25VDC)	29.95
370-140XAL-2	Miniature electrolytic axial	220-4700µF	25	<b>5 each:</b> 220 (50VDC), 330 (25VDC), <b>3 each:</b> 470 (35VDC), 1000 (25VDC), 1000 (50VDC)	29.95
370-140XRL-1	Miniature electrolytic radial	1-1000µF	80	<b>10 each:</b> 1, 2.2, 4.7, 22 (50V), <b>10 each:</b> 10, 47 (35V) <b>5 each:</b> 100, 470, 1000 (50VDC), 220 (35V)	29.95
370-140MLR-1	Micro-miniature Electrolytic radial	.1-220µF	150	<b>10 each:</b> .1, .22, .33, .47, 1.0, 2.2, 3.3, 4.7, 10 (50V), 4.7, 22 (35V), 33 (25V), 47, 100 (16V), 220 (10V)	49.95
370-5982-1	Dipped Mica, ±5%	1-2000pF	120	<b>5 each:</b> 1, 2, 3 (300V), <b>5 each:</b> 5, 10, 22, 33, 39, 47, 56, 75, 100, 220, 270, 330, 390, 470, 560, 680, 820, 1000, 1200, 1500, 2000, (500V)	86.25
5987-KIT3	SMT Polymer Alum., Low ESR	4.7-33µF	36	<b>6 each:</b> 33, 47, (6.3V), <b>6 each:</b> 22, (8V), <b>6 each:</b> 10, (12.5V), <b>6 each:</b> 4.7, 6.8, (16V)	66.80

## "C-PAC" ASSORTMENT

### Capacitor Kits

"C-PAC" kits are the same as above but are packaged with 100 or 200 of each value.



MOUSER STOCK NO.	Type	Range of Values	Pieces in Each Kit	Description	Price Each
370-140PFK-C1	100V±10% polyester	.001-.005µF	600	<b>100 each:</b> .001, .0015, .002, .0022, .0033, .005	28.95
370-140PFK-C2	100V±10% polyester	.01-.047µF	600	<b>100 each:</b> .01, .015, .02, .022, .033, .047	36.95
370-140PFK-C3	100V±10% polyester	.05-.047µF	600	<b>100 each:</b> .05, .068, .1, .15, .22, .47	89.95
370-140PFK-C	100V±10% polyester	.001-.047µF	1800	<b>100 each:</b> All values listed above	134.95
370-GP50-C	50V ceramic disc	5pF-.1µF	3600	<b>200 each:</b> All values listed above in 370-GP50-1	89.95

## Component Kits

MOUSER STOCK NO.	Type	Range of Values	Pieces in Each Kit	Description	Price Each
370-159-1	Solderless connectors	-----	180	18 types of connectors and disconnects, insulated	14.95
370-159-2	Solderless connectors	-----	180	18 types of connects and disconnects, non-insulated	14.95
370-333-1N1	Diode/rectifiers (1 amp)	50-1000PRV	140	<b>20 each:</b> 1N4001, 1N4002, 1N4003, 1N4004, 1N4005, 1N4006, 1N4007	29.95
370-LED-2	Light emitting diodes	-----	180	18 types T1, T 1 3/4, rectangle and square, clear and diffused lenses	33.95
370-333Z-1	Zener diodes (500mW)	5.6-24 Volt	100	<b>5 each:</b> of 20 values 5.6 to 24 volts, ±5%	33.95
370-332-1	Microprocessor crystals	23 types	46	<b>2 each:</b> 3.2768, 3.579545, 3.93216, 4.0, 4.096, 4.194304, 4.433, 4.9152, 5.0, 5.0688, 6.0, 6.144, 6.5536, 8.0, 10.0, 12.0, 12.069, 14.31818, 16.0, 18.0, 18.432, 19.2, 20.0MHz	89.95
370-44FM-1	Metric fuse kit	.5-10 amp	60	<b>10 each:</b> .5, 1, 2, 3, 5 and 10 amp	12.95
370-44FP-1	Standard fast acting fuses	1/4-5 amp	180	<b>30 each:</b> .25, .50, 1.0, 2.0, 3.0, 5.0 amp 250 volt	23.95
370-20V-1	Metal oxide varistor kit	48-510V	205	<b>3 each:</b> VZA series: 48, 130, 150; VZC series: 130, 150; <b>2 each:</b> VZC series: 250; VZD series: 130, 150, 275, 510	32.95
370-NTC-T2	NTC thermistors	100Ω to 50KΩ	60	<b>5 each:</b> 100, 200, 300, 500, 1K, 2K, 3K, 5K, 10K, 15K, 20K, 50K @ 25°C	29.95
370-RFC-1	RF choke (43LR series)	.22-1000µH	180	<b>10 each:</b> .22, .47, 1.0, 2.2, 3.3, 4.7, 10, 15, 22, 33, 47, 68, 100, 220, 330, 470, 680, 1000µH	49.95
370-EMCC	Epoxy miniature choke coils	.15µH to 1000µH	240	<b>10 each:</b> .15, .22, .33, .47, .68, 1.0, 1.5, 2.2, 3.3, 4.7, 6.8, 10, 15, 22, 33, 47, 68, 100, 150, 220, 330, 470, 680, 1000µH	89.95
370-ESCC	Epoxy small choke coils	.33 to 1000µH	240	<b>10 each:</b> .33, .47, .68, 1.0, 1.5, 2.2, 3.3, 4.7, 6.8, 10, 12, 15, 18, 22, 27, 33, 47, 100, 150, 220, 330, 470, 680, and 1000µH	89.95
370-TPV-1	Trim pots 6, 8, 10mm vertical	1KΩ to 500KΩ	180	<b>10 each:</b> 321-2100 series 6mm: 1K, 5K, 10K, 50K, 100K, 500K, (.05W) .32RM series 8mm: 1K, 5K, 10K, 100K, 500K, (.1W) 32RW series 10mm: 1K, 5K, 10K, 50K, 100K, 500K, (.1W)	69.95
370-PT10	Trim pots 10mm, vert. & horiz.	500 to 500KΩ	180	<b>10 each:</b> 500, 1K, 5K, 10K, 25K, 50K, 100K, 250K, and 500K in both horizontal and vertical mount	69.95
370-TPH-1	Trim pots 6, 8, 10mm horizontal	1KΩ to 500KΩ	180	<b>10 each:</b> 321-2000 series 6mm: 1K, 5K, 10K, 50K, 100K, 500K, (.05W) 32RH series 8mm: 1K, 5K, 10K, 50K, 100K, 500K (.1W) 32R series 10mm: 1K, 5K, 10K, 50K, 100K, 500K, (.1W)	69.95
370-LIN-1	Linear IC kit	-----	76	<b>5 each:</b> LM311, LM324, LM339, LF353, LM358, LM393, NE555, NE556, MC1488, MC1489, ULN2003A	69.95
370-TRA-1	Transistors	-----	180	<b>3 each:</b> LF347, LF356, LM741, LM1458, CA3130, CA3140, CA3059	39.95
370-511-1	Transistors, power, TO-220	-----	90	<b>10 each:</b> 2N2222A, 2N2369A, 2N2907, 2N3707, 2N3904, 2N3906, 2N4124, 2N4401, 2N4403, 2N6426, MPSA13, MPSA29, MPSA42, MPSA56, MPSA63, MPSA92, BC337, and BC547	89.99
370-SMD-1	Surface mount diode rectifiers	1amp, 50-800PRV	60	<b>5 each:</b> MJE3055T, MJE1300S, MJE1300T, TIP29, TIP29C, TIP30, TIP31C, TIP32, TIP32C, TIP41C, TIP42, TIP42C, TIP48, TIP120, TIP121, TIP122, TIP125, and TIP131	29.95
370-331-1	1 amp DIP silicon bridge rectifiers	50-800PRV	30	<b>5 each:</b> 1N4001, 1N4002, 1N4003, 1N4004, 1N4005, 1N4006	29.95
370-VRG-1	Voltage regulator IC kit	5V-18V, variable	72	<b>4 each:</b> 7805, 7805A, 78M05, 78S05, 7905, 7808, 7908, 7812, 7812A, 78S12, 7912, 7815, 7915A, 7818, 7918, LM317T, LM337, LM723	59.95
370-331-2	200 PRV silicon bridge rectifiers	1-15 amp	80	<b>10 each:</b> 1, 1.5, 2, 3, 4, 6, 10, 15 (200PRV)	159.95
370-526-1	Semiconductor	-----	155	NTE replacements, 25 different types (replaces 63,703 devices)	249.95
370-526-2	Semiconductor	-----	125	NTE replacements, 25 different types (replaces 20,251 devices)	219.50
370-164-1	Binding post kit	-----	40	<b>10 each:</b> Red and black; <b>5 each:</b> Blue, green, white, and yellow	49.95
561-M1991	Transistor hardware, nylon	-----	180	Assortment: 17 styles and configurations	28.33
561-M1992	Spacers/standoffs, nylon	-----	340	Assortment: 40 sizes and types	46.66
561-M1993	Shoulder washers, nylon	-----	300	Assortment: 30 sizes and types	28.33
561-M1994	PCB posts, nylon	-----	700	Assortment: 10 sizes and types	46.66
561-M1995	Cable clips, nylon	-----	140	Assortment: 15 sizes and types	28.33
561-M1996	Cable clamps, nylon	-----	290	Assortment: 18 sizes	46.66
561-M1997	Flat washers, nylon	-----	500	Assortment: over 40 sizes	28.33
561-M1998	Screws & nuts, nylon	-----	750	Assortment: over 40 sizes	46.66
561-M1999	Strain relief	-----	108	<b>9 each:</b> of the 12 most popular series	28.33
524-11-528	Metric hardware kit	2-4mm	108	2.0, 2.6, 3.0, and 4mm hardware	44.24
383-1425	Color coded wire jumper kit	#22 AWG	560	25 pieces of 14 lengths #22 AWG solid	12.58
538-KK-100	Modular interconnection kit	.100"	---	Designer/service kit for .100" center, K.K. series modular connectors	39.95
538-KK-156	Modular interconnection kit	.156"	---	Designer/service kit for .156" center, K.K. series modular connectors	39.95